

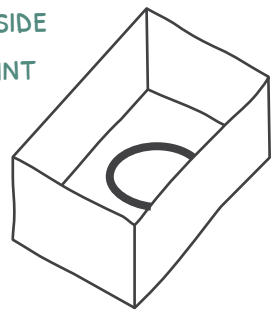
MAKE A RUBBER BAND GUITAR



- SUPPLIES**
- SHOEBOX
 - RUBBER BANDS OF DIFFERENT LENGTHS AND WIDTHS
 - SCOTCH TAPE
 - PAINT BRUSHES
 - TEMPERA PAINTS
 - CARDBOARD TUBE
 - PENCIL

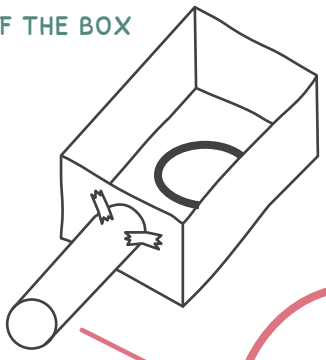
1

DRAW A CIRCLE ON THE INSIDE OF THE BOX AND THEN PAINT IT A NICE COLOR



2

TAPE THE CARDBOARD TUBE TO THE SIDE OF THE BOX



3

TO DECORATE YOUR GUITAR DRAW A RECTANGLE AND 6 SMALL CIRCLES FOR THE HEADSTOCK. THEN TRACE OUT LINES FOR THE GUITAR CORDS



4

CHOOSE 2 RUBBER BANDS OF DIFFERENT LENGTHS BUT THE SAME WIDTH AND PUT THEM AROUND THE BOX

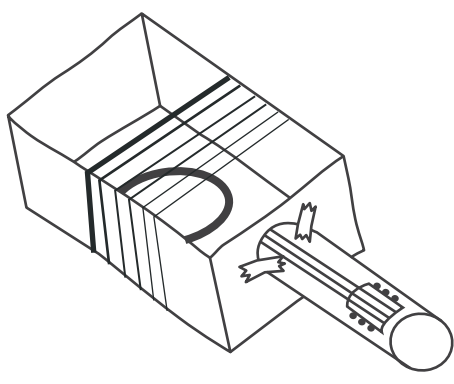
WHICH ONE EMITS THE HIGHEST NOTE?

THE SHORTEST BAND WILL HAVE THE HIGHEST PITCH



5

NOW PUT THE OTHER RUBBER BANDS AROUND THE GUITAR AND PLUCK THEM SO THAT YOU CAN ORDER THEM BASED UPON THE SOUND, FROM HIGHEST TO LOWEST PITCH



WHY IS THAT?

THE THINNER BANDS VIBRATE FASTER THAN THE THICKER ONES THEREBY EMITTING A HIGHER NOTE. THE TIGHTER THE BAND IS STRETCHED, THE FASTER IT VIBRATES. THEREFORE THE SHORTER BANDS, WHEN STRETCHED, PRODUCE NOTES HIGHER THAN THOSE OF LONGER BANDS.